



DEUTSCHTEC

Automatiktüren aus Deutschland



SW40

Automatic Swing Door Operator

EN.06.16012017



SW40

Automatic Swing Door Operator

Introduction

Deuschtec SW40 is the ultimate solution for places where modern architecture meets conventionality. Your each and every desire for any entry solution can be fulfilled with this versatile model. Deuschtec SW40 features renowned German quality, most advanced technology, elegant design and smooth function.

This model's universality is a result of its incredible electromechanical construction together with its genius design. Taking your different needs into account, Deuschtec SW40 has been made to operate using a powerful German-made motor. On the opening, when the door drive is motor-assisted, it puts the integrated spring under tension and then uses the stored energy to close the door softly. By employing the brightest mechanics, the whole door swing area can enjoy optimum power usage even when the motor is not running. This steady movement of the door to its end position is essential and thoroughly meets safety requirements and international standards.

Whether you have a pre-defined manual door or wish to have a fresh-looking design in your urban or suburban architecture, this model is there to make sure you will have your wish come true as painlessly and quickly as possible.



Features

- in compliance with DIN18650 and EN16005 standards
- approved as a hold-open system for fire protection barriers
- Access suitable for disabled or elderly people

Variations

- double swing with or without master/slave function
- adjustable opening for one or both leaves on power saving mode
- integrated sequential closing control for double-leaf fire door applications
- interlock function for two single doors installed consecutively
- ability to be direction-oriented toward oncoming traffic
- ability to open and close even with no electricity

SW40

Automatic Swing Door Operator

Deuschtec SW40 – lasting protection



Deuschtec SW40/I and SW40/F escape models are there to make sure no harm is done under any circumstances. Your safety is of crucial importance to us.



Deuschtec SW40/I

Even without a power supply, Deuschtec SW40/I promises a trustworthy and secure performance. During the motor-driven closing cycle, the energy required for opening is mechanically stored using a spring. When smoke starts to fill the building, the independent smoke and heat venting system controls the drive, and the SW40/I opens reliably, even during power failures. The door can therefore be used to allow fresh air to circulate inside buildings, or to vent smoke and heat. SW40/I can be reliably used for escape routes and safety passages.

Deuschtec SW40/F

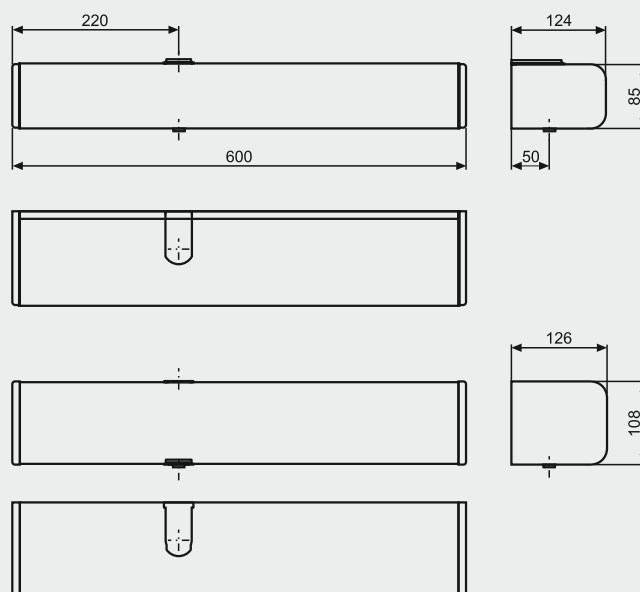
This system is approved as a fire and smoke protection door. In case of fire, a signal from the smoke and heat detector or fire alarm system triggers immediate closing of the passage using spring force. SW40/F can be used as fire and smoke protection barrier and will never let you down.



SW40

Automatic Swing Door Operator

Deuschtec SW40 Technical data



Dimensions of the operator (H x W x L)	85 x 124 x 600 mm or 110 x 126 x 600 mm
--	--

Opening angle	3 - 20 s / 5 - 20 s
---------------	---------------------

Electrical power supply	230 V AC, 50/60 Hz
-------------------------	--------------------

Rated power	67 W
-------------	------

Consumption in standby mode	13 W
-----------------------------	------

Operating modes	Automatic operation
-----------------	---------------------

Continuously open

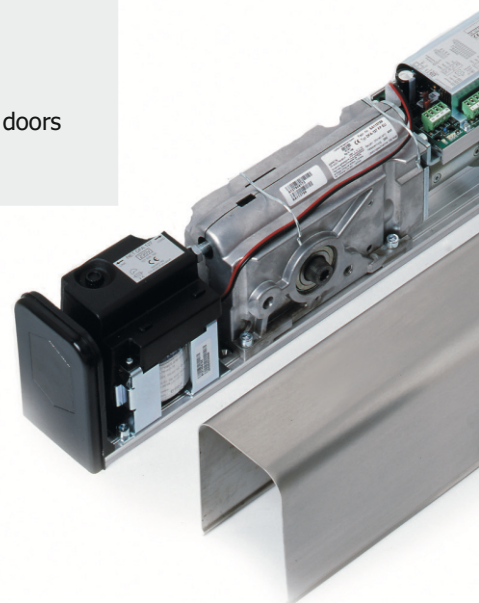
Manual operation

Functions	Automatic reverse
-----------	-------------------

Touch control (push and go)

Emergency stop, interlock control for 2-leaf doors

Customer-specific door parameters





SW40

Automatic Swing Door Operator

Deuschtec SW40 accessories



Arm types

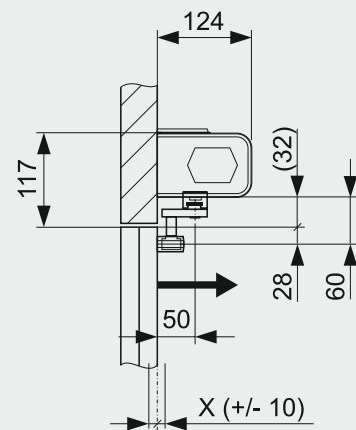
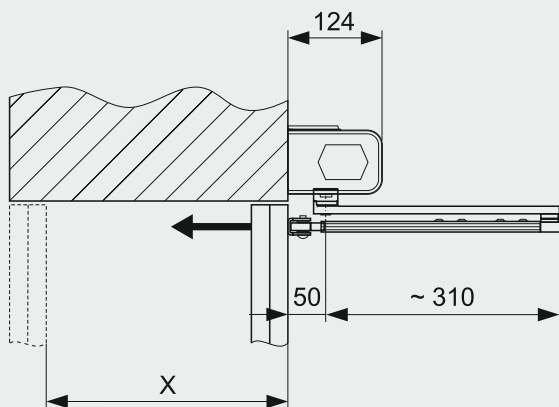


Standard arms, pushing



Sliding arms, pulling or pushing

Lintel depths





SW40

Automatic Swing Door Operator

Deuschtec GmbH
Am Fuchsbau 13
15345 Petershagen/Eggersdorf
Germany

Phone: +49 (0)3341 30 22 4 - 0
Fax: +49 (0)3341 30 22 4 - 25

Web: www.deuschtec.de
Mail: info@deuschtec.de